



It's done! Smart Home
Time House
56b Crewys Road
London NW2 2AD
tel.: 0845 060 5566
www.itsdone-smarhome.co.uk

It's done!
Smart Home

window systems | Sivoia QED® overview

Interior daylight can be generated by direct sunlight, reflection from clouds, surrounding buildings, and/or light colored interior walls. Daylight management is the use of shading systems to regulate the penetration and intensity of natural light into a space.

Applying the proper shading system

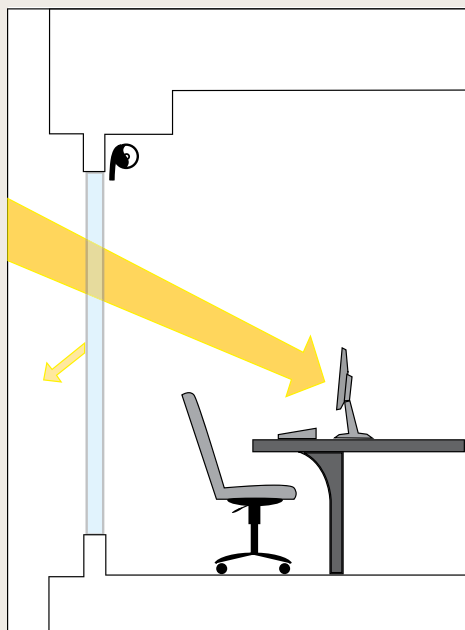
Controlling daylight requires a well-engineered shading system. The system consists of a controllable shade combined with the proper fabric for attenuating light penetration while preserving exterior views and controlling heat gain. Controllable shades allow a system to be automated and integrated into other building control systems.

Fabric selection is determined by evaluating the orientation of each elevation and the designer's objectives for the building's interior. Factors include the fabric's ability to absorb, transmit, and reflect solar energy.

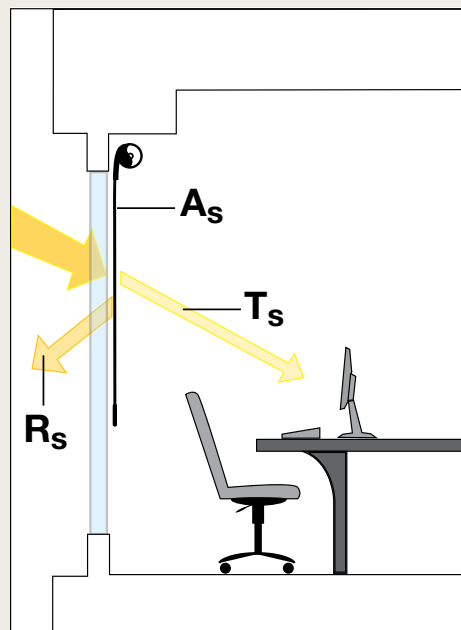
For each fabric, $T_s + A_s + R_s = 100\%$ of solar radiation

Daylight control is optimized when precision control and the appropriate fabric are applied in conjunction with electric lighting control, including dimming and switching systems.

without shades



with shades



T_s (solar transmittance)

A_s (solar absorptance)

R_s (solar reflectance)



Table of contents

The Lutron® difference	02	System overview	11
Sivoia QED quiet electronic drive	04	seeTouch® keypads	12
Product family	05	Color options.....	13
Roller shade overview	06	Total light control residential	14
Fabric specification.....	08	Total light control commercial.....	16
Enhanced drapery track system	10		



Aesthetics

Minimal, symmetrical light gaps

Sivoia QED® roller shade systems offer light gaps of .75 inch per side.

Elegant control options

Lutron® controls are designed to match the high-end look and feel of today's premiere working and living spaces and are available in a wide variety of colors and finishes, including metals.

Wide array of fabrics

Lutron shading systems are available in sheer, privacy, and blackout fabrics to suit any function or aesthetic need, including many PVC-free fabric choices.

Total light control

Lutron lighting control systems integrate with Sivoia QED shades, offering intuitive control of both electric light and daylight.

Flexibility and performance

Limits and presets never lost

Limits and preset shade positions are electronically precision-set and locked, providing power failure memory for the entire product lifetime. These limits and presets will never slip regardless of age, electrostatic discharge, or power failure.

Sustainable design and LEED™

Lutron shading and lighting controls may contribute to obtaining up to 20 points in 5 of 6 LEED credit categories.



System warranty and support

Sivoia QED systems come with an 8-year limited warranty, plus optional extended service. Lutron has factory-employed field service engineers throughout the world and is the only lighting control or shade systems manufacturer in the world with a 24-hour, 7 days a week technical support center.



Control

Ultra-quiet electronic drive

The Sivoia QED system is low-voltage and operates at a near-silent level (rated at 44 dBA at three feet). Shades move smoothly and stop at preset positions with no audible clicks.

Intelligent hembar alignment™

All shades in a Sivoia QED system will track together and stop at programmable preset positions to within .125 inch. By utilizing intelligent hembar alignment, roller 20™, roller 64™, roller 100™, and roller 225™ shade systems will move and track together, even though they use different size roller tubes.

Built-in infrared capability

All Sivoia QED systems ship from the factory ready to receive infrared control signals.

Total light control

Lutron lighting control systems integrate with Sivoia QED shades, offering intuitive control of both electric light and daylight.

Installation

Simple reconfiguration

The Sivoia QED system can easily be reconfigured, limits can be changed, and presets can be reprogrammed without rewiring by using the remote, keypad, or electronic drive unit (EDU).

Simplified wiring

Sivoia QED shading systems do not require any group controllers, relays, or line-voltage wiring between electronic drive units. Wiring can be simplified by using an optional Sivoia QED power panel, allowing all system wiring to be run to one convenient location.

About Lutron

Lutron has been the world's leading manufacturer of lighting control systems for over 45 years, continually innovating, while offering world-class service and support.



Sivoia QED roller shade electronic drive unit

Sivoia QED (quiet electronic drive) offers ultra-quiet, precision control of roller shades, Roman shades, and drapery track. This intelligent, low-voltage system provides smooth, uniform movement, consistent bottom bar alignment across multiple

shades, and superior performance. Elegant Lutron® wall controls make it simple and convenient to operate window treatments, and Sivoia QED systems can seamlessly integrate with other Lutron lighting controls for total light control in a space.



Intelligent processor affords two-way communication for flexibility, programming, and integration with Lutron lighting controls.

Precision motor and gear design ensures ultra-quiet operation and smooth, even movement.

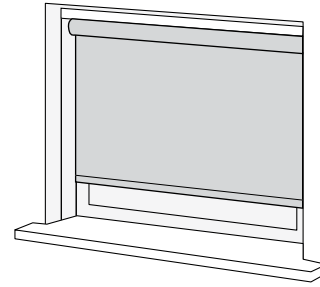


Roller shades

Sivoia QED roller shades offer:

- Ultra-quiet operation
- Uniform precision movement of multiple shades
- Minimal, symmetrical light gaps
- Convenient one-touch control from elegant keypads and intuitive handheld remotes

The system can seamlessly integrate with Lutron® lighting controls to provide control of all the light in any space, or with other systems such as security or climate control to maximize the efficiency and versatility of any room or building.

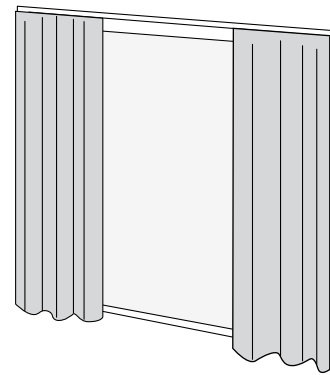


Drapery track systems

In addition to roller shades, the Sivoia QED line also includes drapery track systems for pinch-pleat and ripple fold drapery panels.

The Sivoia QED track system offers:

- All of the quiet, precise control of the Sivoia QED family
- Left-, right-, and center-draw drapery
- Single or dual drapery tracks available
- Straight and custom-curved tracks

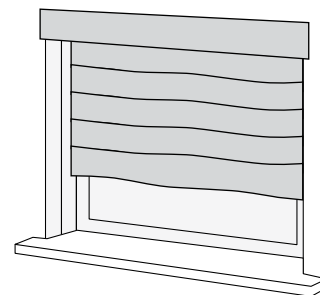


Roman shades

Sivoia QED designer Roman shades offer:

- The same elegant movement and precise control as Sivoia QED roller shades
- The elegance of decorative pleats and flat or soft folds

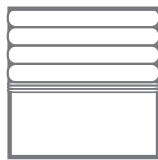
Choose from a broad selection of natural woven woods and exclusive designer fabrics that have been selected to complement the Lutron Satin Colors® line of dimmers and lighting controls.



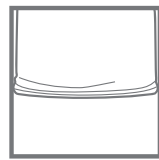
Pleat style options



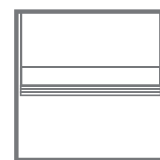
Cameron



DuBois



West End



York



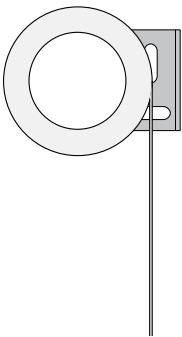
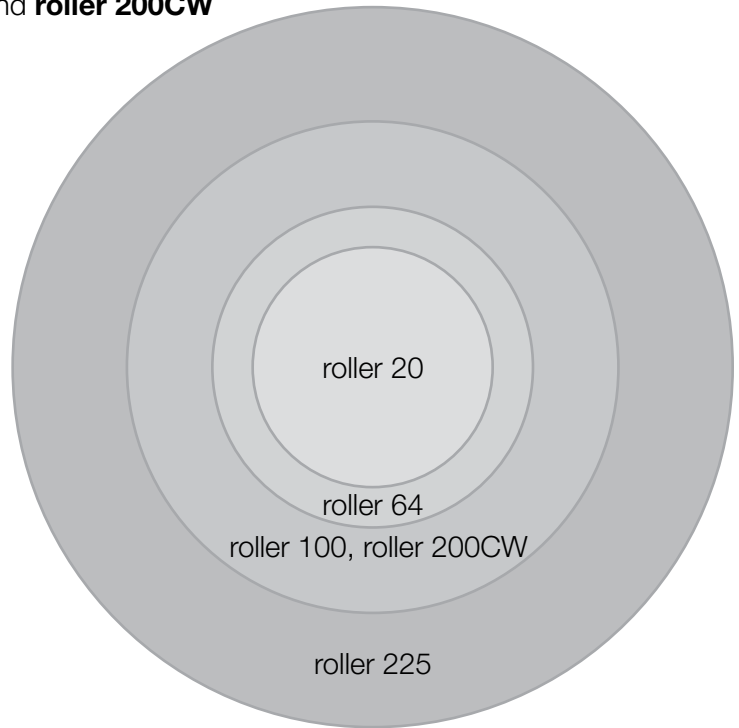
roller 225™

roller 100™ and roller 200CW

roller 64™

roller 20™

Actual size
tube sizes



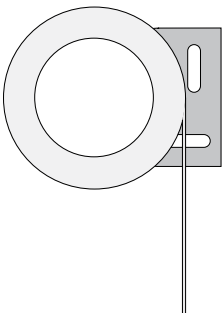
NEW

roller 20

A slim profile and narrow width ideal for shallow residential window frames

Tube Size: 1.25 in. (32 mm) diameter
 Pocket size: 3.5 in. w x 3.5 in. h (89 mm w x 89 mm h)
 Typical maximum size: 20 sq. ft. (1.86 sq. m)

Minimum bracket-to-bracket width: 18.5 in. (470 mm)
 Maximum bracket-to-bracket width*: 8 ft. (2438 mm)

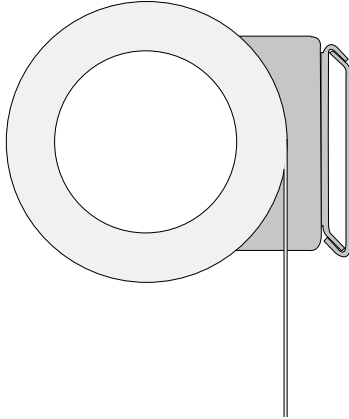


roller 64

Ideal for small- to medium-sized windows

Tube Size: 1.625 in. (41 mm) diameter
 Pocket size: 3.5 in. w x 3.5 in. h (89 mm w x 89 mm h)
 Typical maximum size: 64 sq. ft. (5.95 sq. m)

Minimum bracket-to-bracket width: 18.5 in. (470 mm)
 Maximum bracket-to-bracket width*: 8 ft. (2438 mm)



roller 100™

Designed for windows approximately 10 ft. (3048 mm) wide

Tube size: 2.56 in. (65 mm) diameter

Pocket size: 4.75 in. w x 5.0 in. h (121 mm w x 127 mm h)

Typical maximum size: 100 sq. ft. (9.29 sq. m)

Minimum bracket-to-bracket width: 24 in. (610 mm)

Maximum bracket-to-bracket width*: 10 ft. (3048 mm)

roller 200CW

Features gradual movement for large shades and coupling capability for up to 6 fabric panels

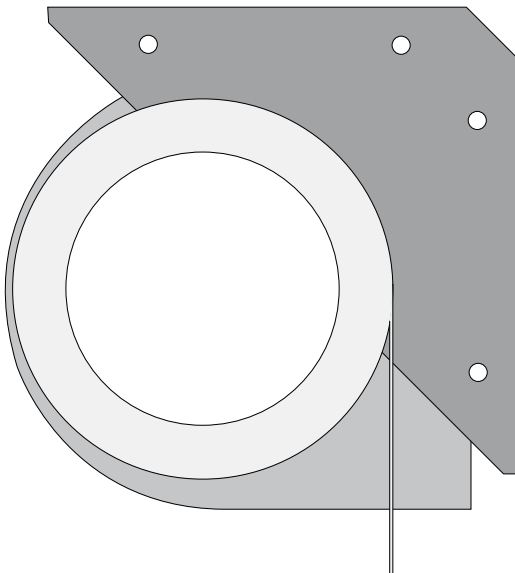
Tube size: 2.56 in. (65 mm) diameter

Pocket size: 4.75 in. w x 5.0 in. h (121 mm w x 127 mm h)

Typical maximum system size*: 200 sq. ft. (18.6 sq. m)

(up to 6 shades, 200 sq. ft. total)

Minimum bracket-to-bracket width: 25 in. (635 mm)



roller 225™

Provides a heavy-duty bracket and higher torque for much larger applications such as atriums or multi-story windows

Tube size: 3.75 in. (95 mm) diameter

Pocket size: 7 in. w x 7 in. h (178 mm w x 178 mm h)

Typical maximum size*: 225 sq. ft. (20.9 sq. m)

Minimum bracket-to-bracket width: 31.75 in. (806 mm)

Maximum bracket-to-bracket width*: 15 ft. (4572 mm)



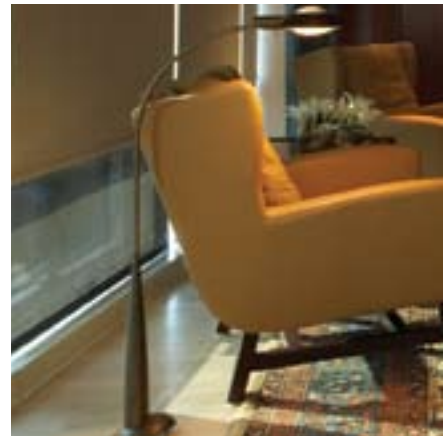
Maximize view

Lutron® SheerShades® reduce glare and direct solar exposure without compromising the exterior view. They are available in a range of openness factors to complement different intensities of direct light.



Reduce glare and heat gain

Many Lutron fabrics are designed to reflect as much solar radiation out and away from the window as possible to minimize the build-up of heat inside the building. In addition, the correct fabric can reduce glare, improving contrast on monitors and screens.



Blackout

When desired, 100% opaque fabrics are available for applications such as home theaters, bedrooms, or conference rooms. Sivoia QED® systems can also provide side channels to ensure complete blackout.



Select the right fabric for each application. Lutron® fabrics are grouped into three categories: SheerShade®, Privacy, and Blackout. These provide varying degrees of light control and functionality.

SheerShade

Fabrics feature open weaves, so sunlight is filtered while preserving the view. SheerShade fabrics are measured by “openness factor,” which describes the ratio of open space to fabric yarn in a weave.

SheerShade Designer™ fabrics provide more decorative weave options, such as jacquards that resemble natural woven fabrics.

NEW

Introducing two new families of Lutron SheerShade: SheerLite and Value Select. Contact customer service to learn more.

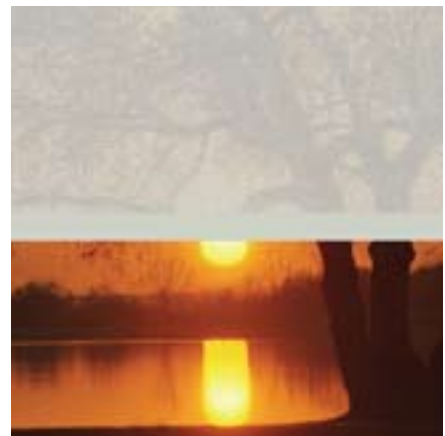
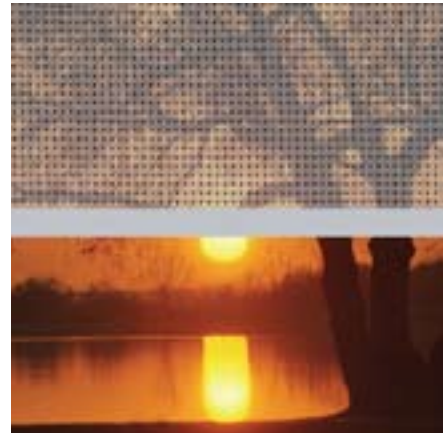
Privacy

These fabrics permit some light, but are not open weaves, so the view is limited to shapes and shadows.

Blackout

These fabrics prevent all light from passing through the material. Blackout fabrics are often combined with special side channels, top treatments and other system components to ensure a complete light seal.

To order a fabric selection binder, register to order at:
www.lutron.com/binders

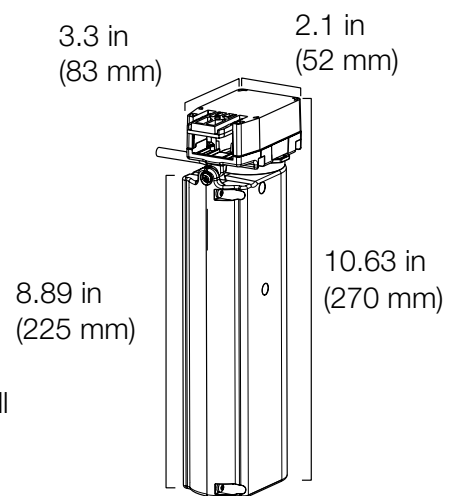


Sivoia QED® | enhanced drapery track system



The enhanced Sivoia QED drapery track system has a slim profile, ultra-quiet performance, and enhanced power capacity.

- Provide privacy with elegant drapery of any fabric and color (customer-supplied)
- One-touch control of individual or groups of drapery for fully-open, fully-closed, or preset positions
- Integrates seamlessly with Sivoia QED roller shades and Roman shades
- Patented technology virtually eliminates noise in tracks
- Left-draw, right-draw, and center-draw systems available
- Curved tracks are available in a number of standard arcs (up to 90°) as well as custom specifications (20 in. minimum bend radius)
- Drapery tracks are available in white, bronze, and anodized aluminum
- Available for pinchpleat and ripplefold drapery panels

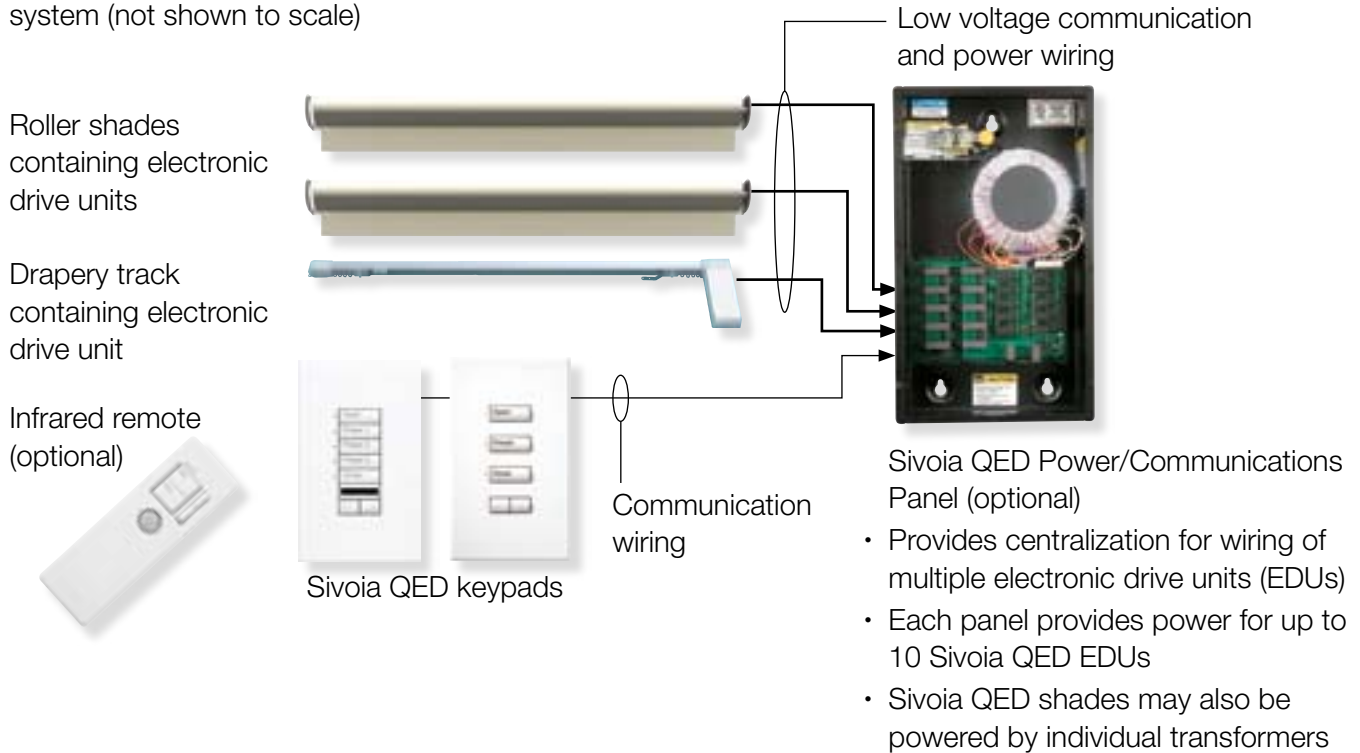


Drapery track weight capacity range (straight track)

System width	24-32 in (0.6 - 0.8 m)	32-44 in (0.8 - 1.1 m)	44-56 in (1.1 - 1.4 m)	56-68 in (1.4 - 1.7 m)	68-108 in (1.7 - 2.7 m)	108-156 in (2.7 - 4 m)	156-216 in (4 - 5.5 m)
Weight (up to)	50 lbs (22.7 kg)	60 lbs (27.3 kg)	75 lbs (34.1 kg)	90 lbs (40.9 kg)	105 lbs (47.7 kg)	90 lbs (40.9 kg)	80 lbs (36.4 kg)

Sivoia QED system layout

Common components for a Sivoia QED roller shade system (not shown to scale)



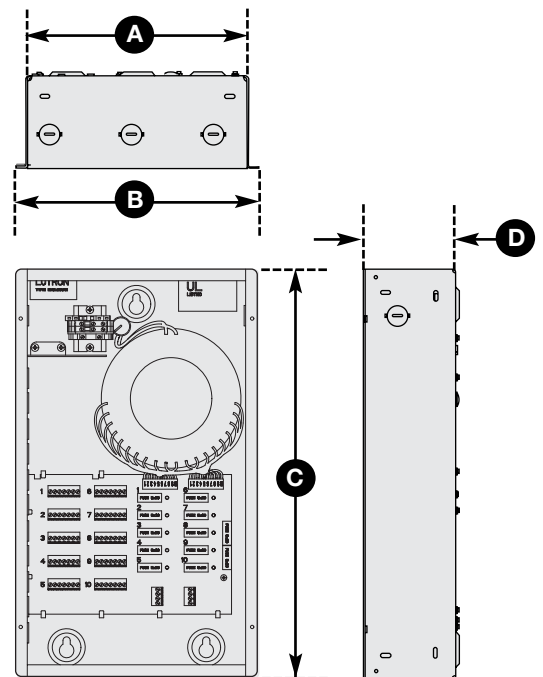
Sivoia QED power panel SVQ-10-PNL

- Provides power and communication wiring for up to 10 Sivoia QED drives
- Utilizes a custom seven-conductor combination communication/power cable (SVQ-CBL-250) or specify separate power and communication wiring

See the Sivoia QED technical reference guide (P/N 367-592) or visit www.lutron.com/shadingsolutions for more information.

Dimensions

- A** 10.3 in. (262 mm)
- B** 9.5 in. (241 mm)
- C** 17.5 in. (445 mm)
- D** 3.9 in. (99 mm)





Elegant seeTouch keypads complement any décor

Choose from several keypad styles and over 40 colors and finishes including metals.

Sivoia QED® keypads offer ergonomic, backlit buttons for easy viewing in a darkened room. Integrate with Lutron lighting controls for total light control of electric light and daylight.

Easy to use remote controls

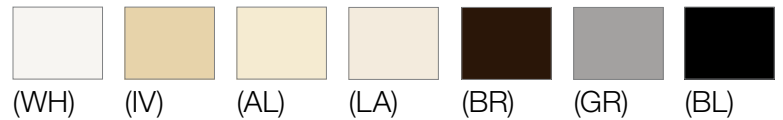
Easily control one shade or a whole group of shades with convenient handheld remote controls.



(not shown actual size)

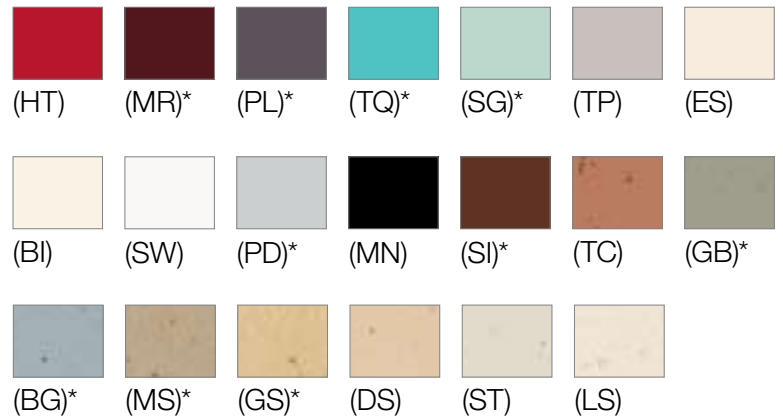
designer gloss finish palette

- (WH) White
- (IV) Ivory
- (AL) Almond
- (LA) Light Almond
- (BR) Brown
- (GR) Gray
- (BL) Black



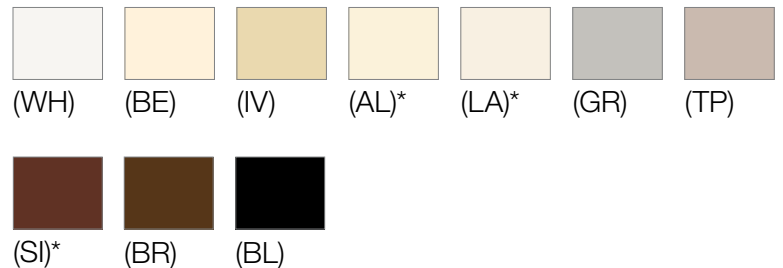
designer satin finish palette

- (HT) Hot
- (MR) Merlot*
- (PL) Plum*
- (TQ) Turquoise*
- (SG) Sea Glass*
- (TP) Taupe
- (ES) Eggshell
- (BI) Biscuit
- (SW) Snow
- (PD) Palladium*
- (MN) Midnight
- (SI) Sienna*
- (TC) Terracotta
- (GB) Greenbriar*
- (BG) Bluestone*
- (MS) Mocha Stone*
- (GS) Goldstone*
- (DS) Desert Stone
- (ST) Stone
- (LS) Limestone



architectural matte finish palette

- (WH) White
- (BE) Beige
- (IV) Ivory
- (AL) Almond*
- (LA) Light Almond*
- (GR) Gray
- (TP) Taupe
- (SI) Sienna*
- (BR) Brown
- (BL) Black



metal finishes palette

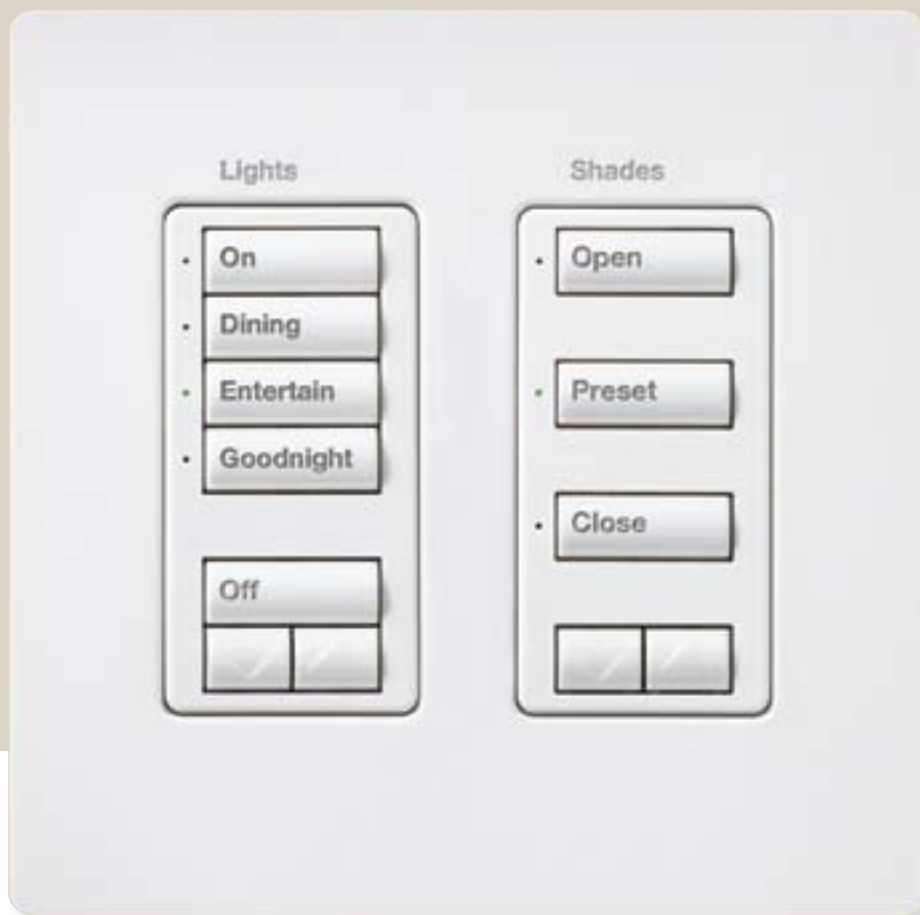
- (SB) Satin Brass
- (BB) Bright Brass
- (BC) Bright Chrome
- (CLA) Clear Anodized Aluminum
- (BLA) Black Anodized Aluminum
- (BRA) Brass Anodized Aluminum
- (QB) Antique Brass
- (QZ) Antiq. Bronze
- (SC) Satin Chrome
- (SN) Satin Nickel
- (BN) Bright Nickel
- (AU) Gold



Stainless Steel



Color samples shown are representations only. See product samples for exact finishes, and ask your Lutron sales representative for color availability.



Designer-style keypad
(shown actual size)

Convenience and elegance

Seamlessly integrate shades and draperies with Lutron® lighting control systems throughout the home. Adapt electric lights and daylight to the perfect level for relaxing, watching a movie, or reading a book. Control all the light using seeTouch® controls available in a wide variety of colors and finishes.

Single room

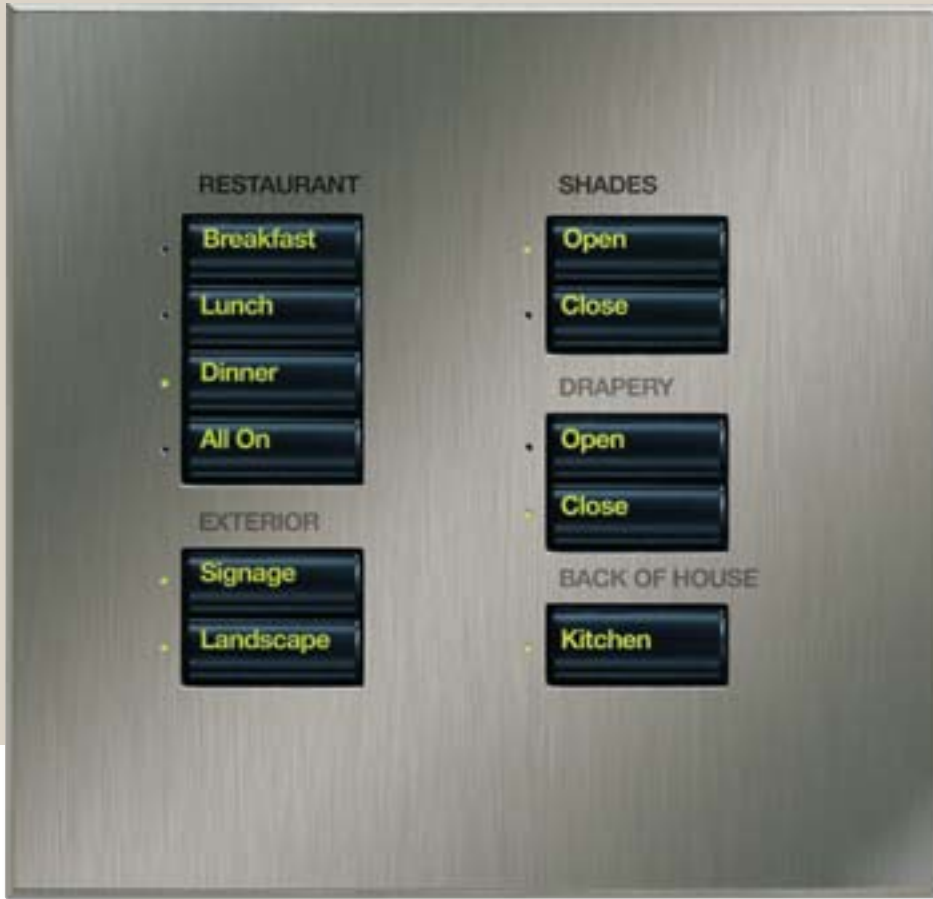
The Lutron preset lighting control system offers scene-based control of the light in any area of the home. One button can adjust lighting and shades with subtle or dramatic transitions.

- Home theater
- Bedroom
- Living room

Whole home

Expand one-touch control to the entire home with Lutron HomeWorks® and RadioRA® lighting control systems. Integrate with A/V, security and other home systems. Simplify daily routines, add comfort and convenience, and enhance security, all at the touch of a button.





Architectural-style keypad
(shown actual size)

Flexible integration

Make a space as productive as possible with one-touch control of both electric and daylight. Keep presentations moving smoothly with intuitive keypads. Maximize HVAC efficiency throughout an entire building with automated adjustment of shades and lighting.

Single room

Bring integrated control of lighting, shading systems, and projection screens to presentation spaces and classrooms. Lutron® preset lighting control systems, such as GRAFIK Eye®, are simple to use and can be easily retrofitted into any space.

- Conference room
- A/V presentation space
- Classroom

Whole building

Control lighting and shading in any space or throughout the entire building with Lutron GRAFIK® systems. Lighting for restaurants, hospitality spaces, and corporate areas can be easily controlled and adjusted.

- Reduce glare and eye fatigue
- Maximize HVAC efficiency
- Increase productivity



It's done! Smart Home
Time House
56b Crewys Road
London NW2 2AD
tel.: 0845 060 5566
www.itsdone-smarhome.co.uk



www.lutron.com/shadingsolutions

Lutron Electronics Co., Inc.
7200 Suter Road
Coopersburg, PA 18036-1299

World Headquarters +1.610.282.3800
Technical Support Center 1.800.523.9466
Customer Service/Quotes 1.800.446.1503
Email: shadinginfo@lutron.com

© 05/2008 Lutron Electronics Co., Inc.
P/N 367-1373

save
energy
with
Lutron

