



new | Sivoia[®] QS shades
The next generation of technology for daylight control



It's done! Smart Home
Time House
56b Crewys Road
London NW2 2AD
tel.: 0845 060 5566
www.itsdone-smarhome.co.uk



new | Sivoia® QS shades

The next generation of ultra-quiet, precision control for Lutron® Shading Solutions



Precision control of daylight

Sivoia QS roller shades utilize patented Lutron quiet electronic drive technology to control shades with quiet precision and elegance. Shades start, move, and stop in unison, operating smoothly and maintaining perfect alignment with each other. Minimal .75 in. light gaps ensure maximum window coverage.

Ultra-quiet performance

Sivoia QS roller shades operate at a near-silent level, rated at 44dBA at 3 feet. Control daylight without disturbing the activity in a space.

Simple to operate

seeTouch® style keypads offer simple, intuitive control of every Sivoia QS roller shade in a space. Buttons are backlit and engraved for convenient operation. Preset buttons allow a user to instantly recall a favorite level for any time of the day. Select from a wide variety of styles, colors, and metal finishes to complement any décor.

Easy to design, install, and integrate

Sivoia QS provides many features to add flexibility and ease at any stage of a project. Universal brackets and a new simplified wiring scheme make it easy to specify and install the system.

Total light control

Combine GRAFIK Eye® QS and Sivoia QS for intuitive control of both electric light and daylight. Lutron QS technology provides seamless integration with other Lutron lighting control products — without interfaces.



Sivoia® QS shades:
SheerShade™ | residential

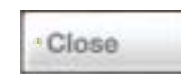
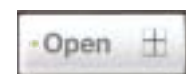
Sivoia QS roller shades offer precision control of daylight to elegantly transform a space for any activity. Select a preset to quietly lower the shade to your favorite position and control the daylight in a space. Use a keypad on the wall or a hand-held remote for convenient operation of hard-to-reach windows.

Adjust daylight to the needs of a space — reduce glare, let in the view of the outside, or simply lower shades to protect valuable finishes and furnishings from harmful UV rays.



seeTouch® control in White
shown actual size

remote control



Integrated solutions: total light control | residential

With Lutron®, control all the light in a space with the touch of a button. Dim lights and shades to choose the perfect lighting levels for different activities and occasions throughout the house. Transform the living room for family gatherings, reading, watching a movie, or entertaining.



General All of the lights are on for activities such as games or cleaning. The shades are partially open to take advantage of natural daylight.



TV The sheer shades are closed to reduce glare on the TV screen. Shades align perfectly to ensure a clean aesthetic from both the inside and outside. Lights are at a medium level for a casual setting.



Movie A single button quietly lowers shades and lighting for the perfect movie magic. Blackout shades close completely to eliminate daylight and ensure a clear view of the screen without reflections or glare. Lights are dimmed for the optimum viewing.



Shades can be controlled independently of scenes for added flexibility with GRAFIK Eye® QS.

Sivoia® QS shades: sheer and blackout | commercial

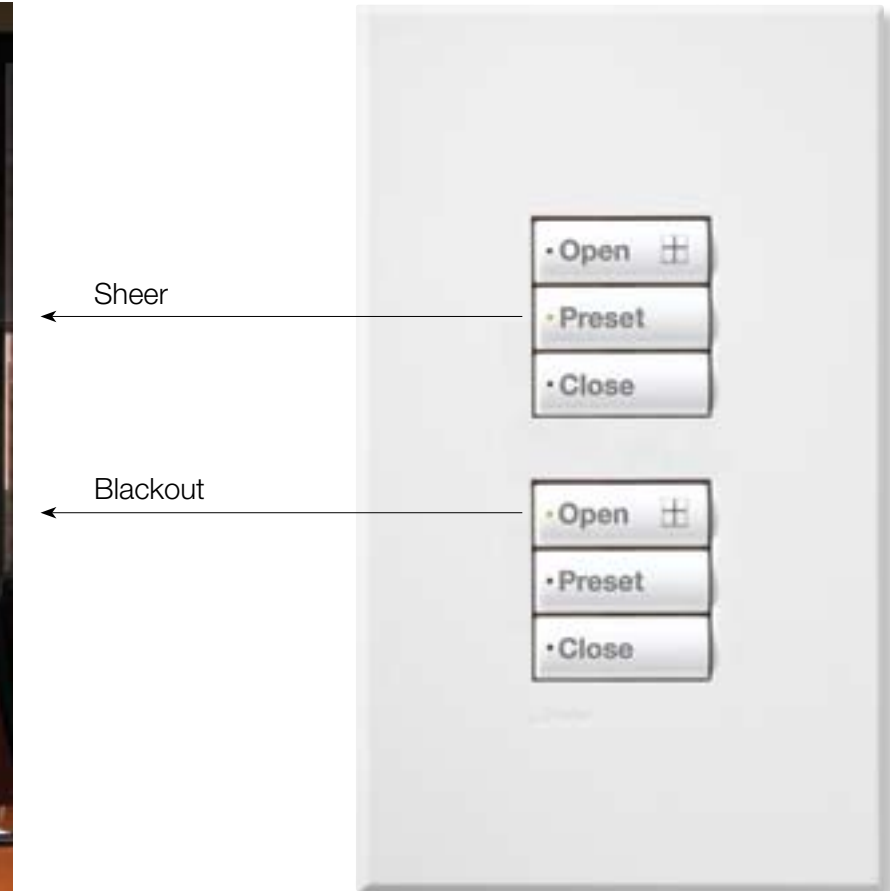
Sivoia QS allows you to control a single shade or multiple groups of shades at the touch of a button. Adjust sheer shades when morning sun creates glare in a work space, without sacrificing the view.

Close blackout shades completely for A/V presentations. Customize the daylight in a space based on the task at hand. In addition, Sivoia® QS technology ensures shades move smoothly, quietly, and in unison. Multiple shades across a bank of windows align with precision time after time.



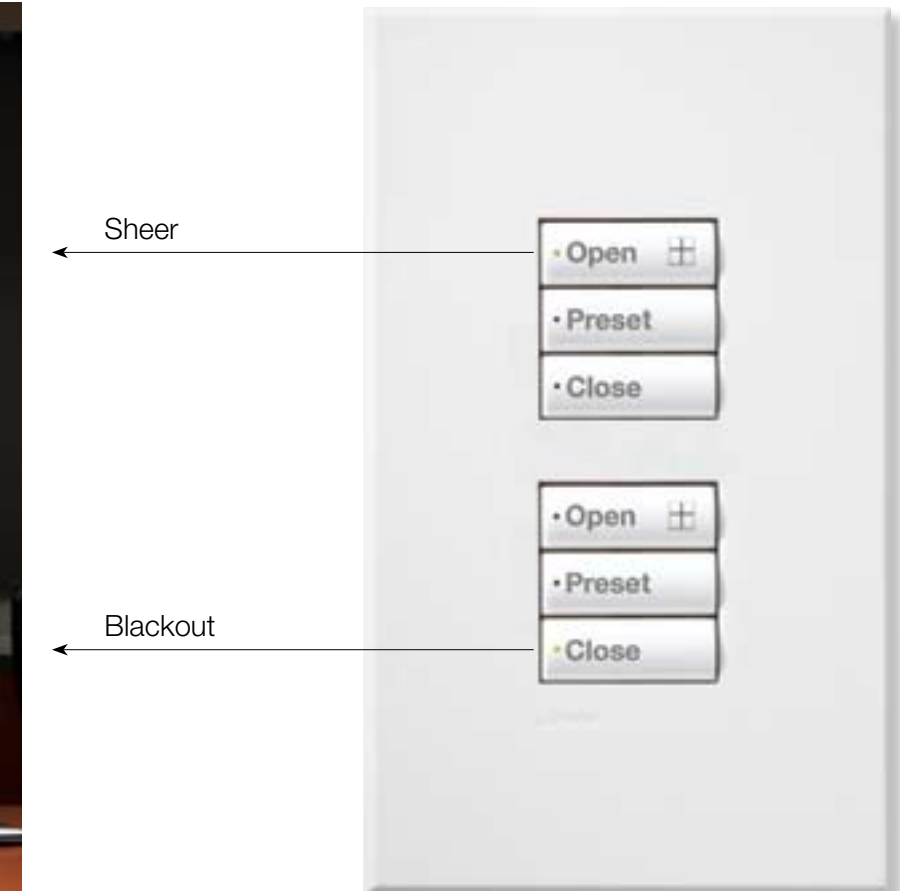
Shade group 1 - sheer shades (preset)

Shade group 2 - blackout shades (open)



Shade group 1 - sheer shades (open)

Shade group 2 - blackout shades (close)



Integrated solutions: total light control | commercial

Conference rooms demand flexible control in order to adapt to a variety of activities. Integrate shades and lighting together for activities such as roundtable discussions, single-speaker presentations, video presentations, and even cleanup. Save additional energy by using occupancy sensors to turn off the lights when the room is not in use.



General

The window lights are off and the shades open to allow natural light to illuminate the window countertop and save energy. The lights put the focus on the conference table for a morning staff meeting.



Meeting

Silently lower sheer shades to reduce direct daylight in this west-facing conference room without disrupting activity in the space. Reduce glare and solar heat gain, yet maintain a great view of the cityscape.



A/V

A single button controls both lights and shades. Blackout shades lower through side channels to completely block out daylight. General light levels are set low to avoid glare on the flat screen with enough light on the table for note-taking.



Multiple shade groups can be controlled independent of scenes with the GRAFIK Eye® QS.

Sivoia® QS: system overview



Sivoia QS roller 64™

- Ideal for windows up to 64 square feet
- Provides ultra-quiet, precision control of daylight
- Precise alignment of shades to within .125 inches
- Simple, low-voltage installation
- Smooth movement with multiple programmable presets
- Symmetrical light gaps (.75 in.) to ensure maximum window coverage
- Sheer, privacy, and blackout fabrics available in a variety of colors and styles



QS smart panel power supply

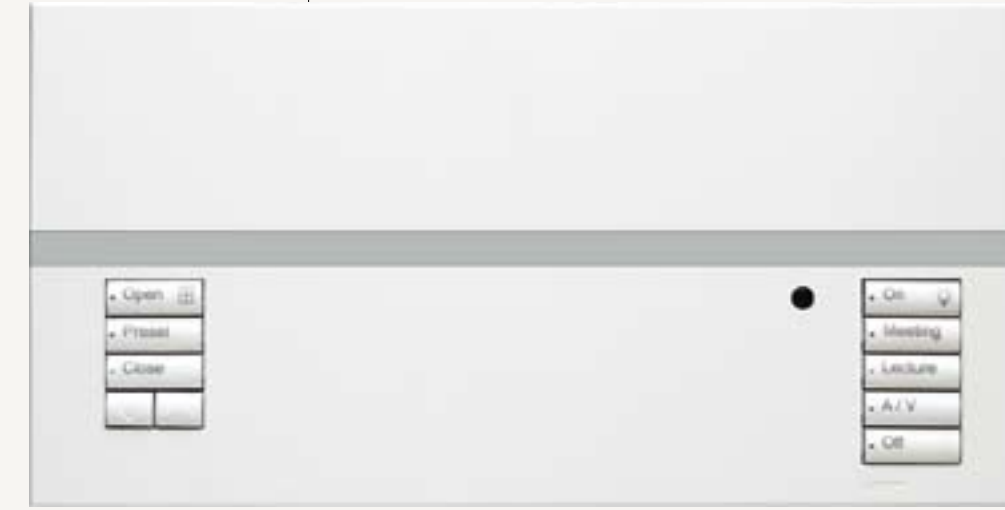
- Provides power and communication wiring to Sivoia QS shades, keypads, and other devices
- Manual override buttons for system verification
- Built-in link diagnostics for easy confirmation of system wiring and communication

control options



seeTouch® QS keypads

- Fourteen models available with one to seven preset buttons
- Available with or without raise/lower buttons and an IR sensor
- Control shades, lights, or a combination of both
- Available in a wide variety of colors and finishes
- Standard and custom engraving available for ease of operation



GRAFIK Eye® QS

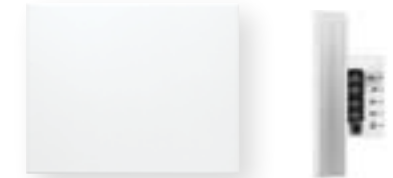
- Preset control of both lighting and shading zones from one control
- Astronomic and programmable time clock provides scheduling to meet energy code requirements
- Information display provides easily read energy savings, lighting levels, and time clock information
- Connection port for IR receiver, PC, and occupancy sensor
- Not required for stand-alone Sivoia® QS shade systems

optional components



Lutron® occupancy sensors

- Self-adaptive technology updates time and sensitivity settings to ensure that the sensors have the greatest accuracy
- Direct connection to the GRAFIK Eye QS

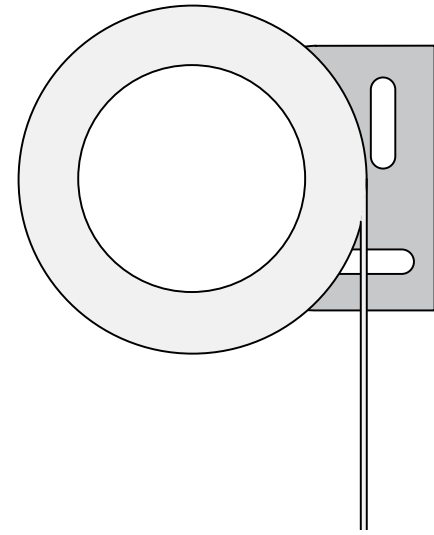


Power modules

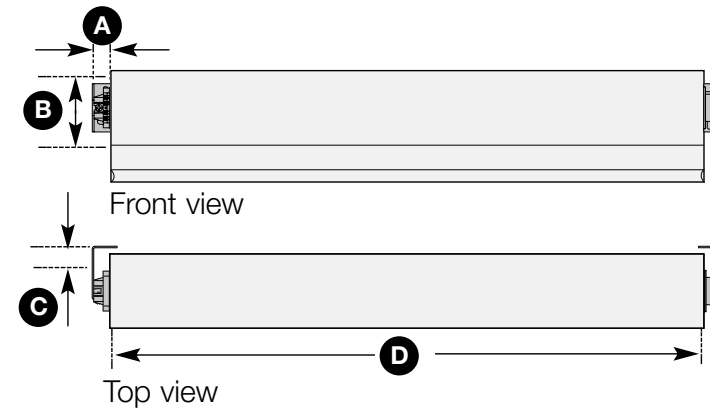
- Adaptive technology controls either magnetic or electronic transformers for low-voltage lighting
- Modules available for 120V or dual voltage (120V and 277V)

Sivoia® QS:

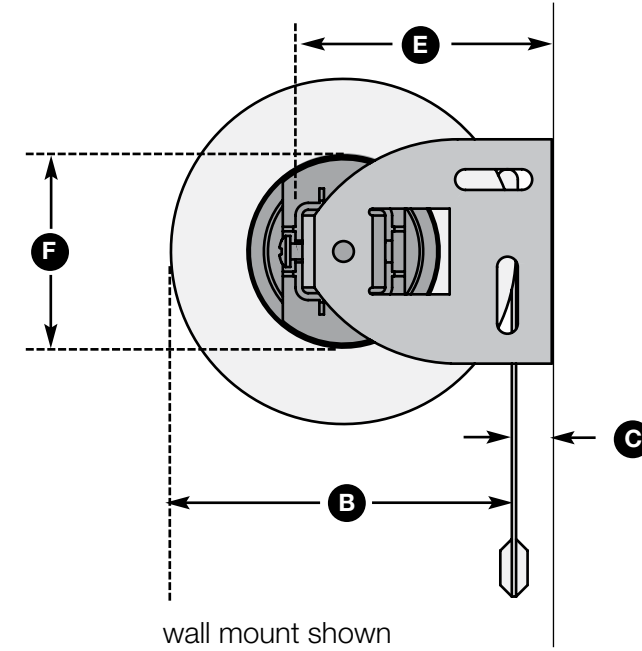
roller 64™ | system dimensions



Roller 64™
Tube Size: 1.625 in. diameter
Pocket size: 3.5 in. x 3.5 in.
Maximum shade size:
 64 sq. ft. (8 ft. x 8 ft.)
Light gaps: symmetrical, .75 in.

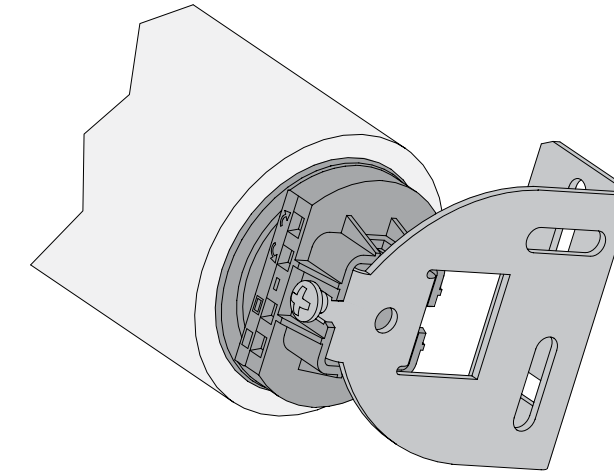


The roller 64 system utilizes a 1.625 in. roller tube to operate up to 64 square feet of fabric.



Dimensions

- A** 0.75 in. (1.90cm) symmetrical
- B** 3.0 in. (7.62cm) maximum
- C** 0.3 in. (0.76cm) minimum
- D** 18.5 in. (47cm) minimum
- E** 2.18 in. (5.52 cm)
- F** 1.63 in. (4.13cm)

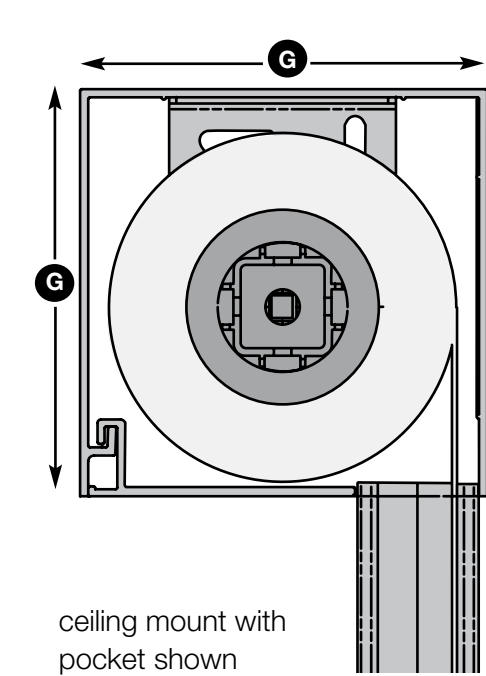


Universal bracket design

- One-piece bracket for simple installation
- Same bracket for left and right side of roller tube
- One bracket for ceiling, wall, and jamb mount
- Roller tube installs with a spring-loaded idler for ease of installation

Additional Bracket Options

- Fascia brackets available for installations requiring fascia
- Dual brackets available for installations requiring dual shades



ceiling mount with pocket shown

Pocket dimensions

Sivoia QS roller 64 will never require more than 3.5 in. height x 3.5 in. depth for installation. Side channels, fascias, and other lineals are also available.

Sivoia® QS:

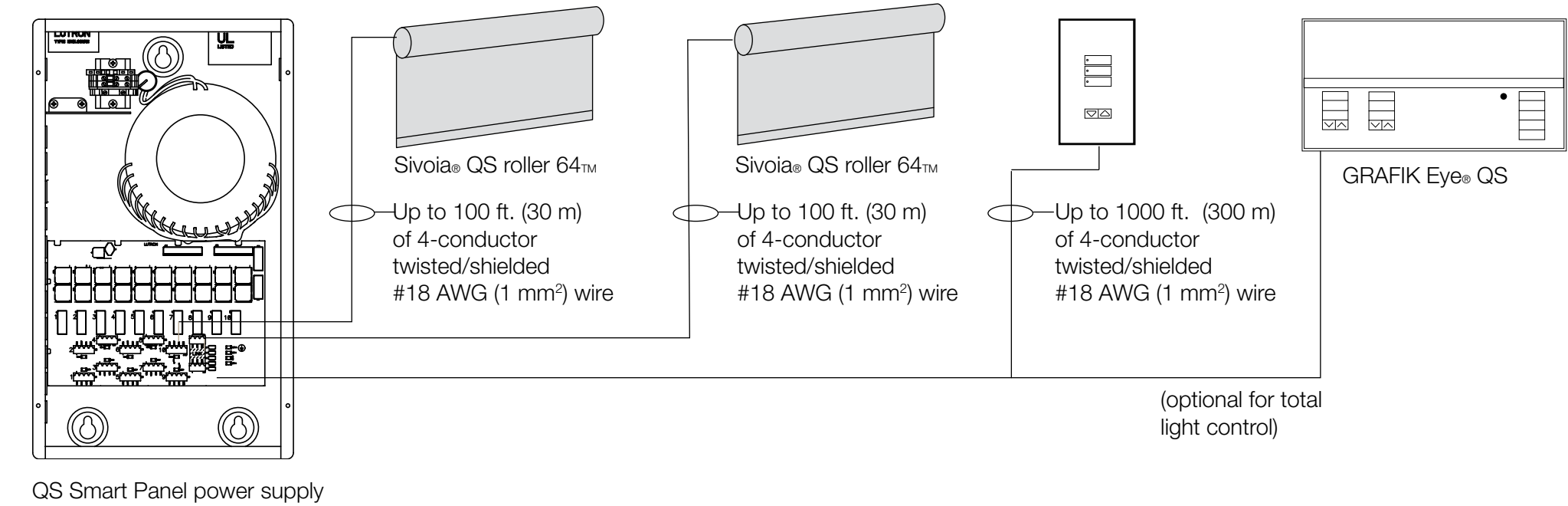
QS smart panel | power supply



Features

- 24v $\overline{\text{---}}$ supply that provides power to shades, keypads, and accessories
- Simple wiring scheme uses 4-conductor low voltage link to provide power and communication for both electronic drive units and keypads
- Flexible wiring topology for easy installation and integration
- 10 output panel provides power to 10 to 30 shades based on shade dimensions
- Smart diagnostics reduce installation time and system verification
- Confirm system communication
- Quickly identifies mis-wiring
- Provides easy system testing with manual override buttons for shades and lighting

wiring diagram



- Maximum 100 devices (Sivoia® QS roller shades, seeTouch® QS keypads, GRAFIK Eye® QS main units, and QS power supplies) per system
- Maximum 100 zones (Sivoia QS shades and lighting zones on GRAFIK Eye QS)

Sivoia® QS | Specification benefits

Lutron® has been the world's leading manufacturer of lighting control systems for over 45 years, continually innovating, while offering world-class service and support.

Control

Ultra-quiet electronic drive

The Sivoia® QS system is low-voltage and operates at a near-silent level (rated at 44 dBA at three feet). Shades move smoothly and stop at preset positions with no audible clicks.

Total light control

Lutron lighting control systems integrate with Sivoia QS shades, offering intuitive control of both electric light and daylight. GRAFIK Eye QS and Sivoia QS use the same wiring configuration and do not require any interfaces, ensuring seamless integration for total light control.

Flexibility and performance

Limits and presets never lost

Precise limits and preset shade positions are electronically precision-set and have a power-failure memory for the life of the system. These limits and presets will never drift regardless of age, electrostatic discharge, or power failure.

Sustainable design and LEED™

Lutron shading and lighting controls may contribute to obtaining up to 20 points in 5 of 6 LEED credit categories.

System warranty and support

Sivoia QS systems come with an 8-year limited warranty, plus optional extended service. Lutron has factory-employed field service engineers throughout the world and is the only lighting control or shade systems manufacturer in the world with a 24-hour, 7 days a week technical support center.

Aesthetics

Minimal, symmetrical light gaps

Sivoia QS roller shades and offer symmetrical light gaps of .75 inch per side.

Elegant control options

Lutron controls are designed to match the high-end look and feel of today's premiere working and living spaces and are available in a wide variety of colors and finishes, including metals.

Wide array of fabrics

Lutron shading systems are available in fabric styles to suit any function or aesthetic need, including many PVC-free fabric choices.

Installation

Simple reconfiguration

The Sivoia QS system can be easily reconfigured, limits can be changed, and presets can be reprogrammed without rewiring by accessing the remote, keypad, or electronic drive unit (EDU).

Simplified wiring

Sivoia QS shading systems do not require any group controllers, relays, or line-voltage wiring between electronic drive units.

QS Smart Panel Diagnostics

The QS Smart Panel power supply features advanced diagnostics to quickly verify system communication and wiring.

About Lutron®

our commitment

Lutron is committed to bringing our customers best-in-class products and solutions that offer superior performance, with world-class service and global support.

Light control is environmentally responsible. It enhances life safety, and it enhances security. Lutron develops high-quality, elegant lighting products and solutions that help reduce energy costs significantly. We innovate in advance of emerging market needs, and we continually streamline our quality, our delivery, and our value.

Lutron owns over 250 patents and manufactures more than 15,000 products. For over 45 years, we have met and exceeded the highest standards of quality and service. Every one of our products is quality-tested before it leaves the factory, and we are available to help, on the phone or in the field, whenever we are needed.

unmatched support

Expert design assistance

- Product, application and system knowledge to identify the best solutions to meet project objectives
- Design assistance for the specification community with drawings and written specifications
- Quick turnaround to meet construction schedules
- Product demonstrations, samples, and installation documentation
- Global project management

Expert service

- Ongoing commitment to service and reliability
- Global field service engineers handle factory commissioning and support
- 24/7 multilingual technical phone support
- Assured performance plans include annual warranty extension, annual comprehensive preventative maintenance, and customized training



www.lutron.com/shadingsolutions

Lutron Electronics Co., Inc.
7200 Suter Road
Coopersburg, PA 18036-1299

World Headquarters +1.610.282.3800

Barcelona | Beijing | Berlin | Hong Kong | London | Madrid | Mexico City |
Milan | Paris | São Paulo | Shanghai | Singapore | Tokyo

Technical Support Center 1.800.523.9466
Customer Service 1.888.LUTRON1

© 06/2007 Lutron Electronics Co., Inc. | Printed in the U.S.A. | P/N 367-1374

